

# MH SNK EF MOC TO

## MANHATTAN Tap Range Manhattan Easyfit Mono Sink Mixer Mocca Tap Only



### Specification

<b>Product Type:</b>	Kitchen Taps
<b>Main Construction Material:</b>	Brass
<b>Mount Type:</b>	Deck Mounted
<b>Handle Type:</b>	Lever
<b>Connection Inlet:</b>	1/2" BSP Flexible Tails
<b>Connection Outlet:</b>	
<b>Number of Tap Holes:</b>	1
<b>Valve/Cartridge Type:</b>	1/2" Ceramic Disc Valves
<b>Plumbing System Requirements:</b>	All, Preferably Balanced
<b>Working Pressure Range:</b>	Min 0.3 Bar, Max 5.0 Bar
<b>Maximum Hot Water Temperature: °C</b>	65
<b>Maximum Static Pressure: (bar)</b>	10
<b>Flow Type:</b>	Dual Flow
<b>Isolation Included:</b>	Yes

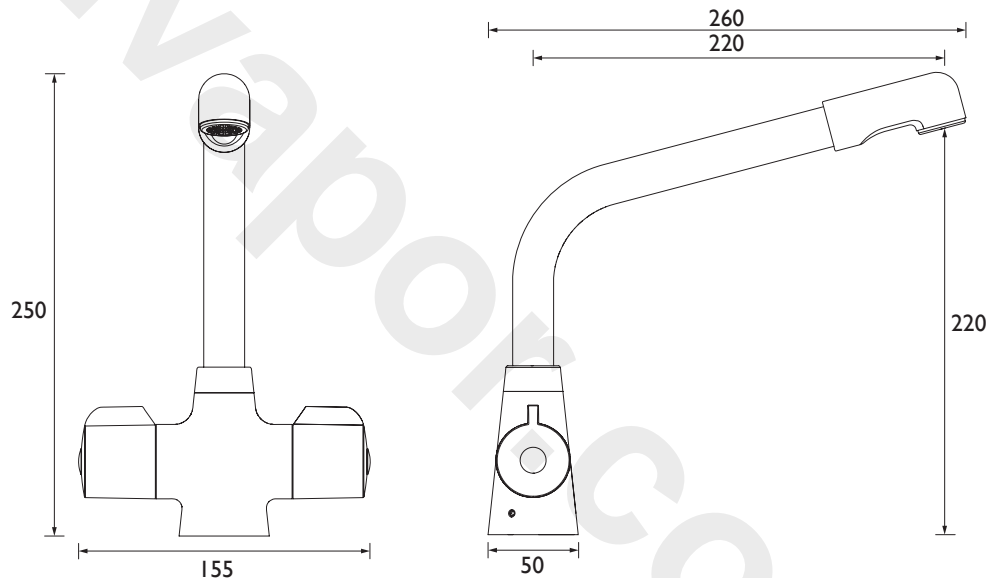
### Features:

- Long life and easy to use 1/4 turn ceramic disc valves
- Metal fixing nut for added durability
- Product supplied without Easyfit base

### Product Certifications:



### Dimensions (measurements in mm)



For more products, visit our website:  
<http://www.bristan.com>



### Flow Rates (l/min)

System Pressure (bar)	0.2	0.5	1	2	3	5
MH SNK EF MOC TO	10.6	13.7	18.8	27.2	33.6	43.4

## TECHNICAL DATA SHEET



# BRISTAN

TAPS & SHOWERS

D1